



ZIMBABWE SCHOOL EXAMINATIONS COUNCIL
General Certificate of Education Ordinary Level

COMPUTER STUDIES

7014/01

PAPER 1 Multiple Choice **SPECIMEN PAPER**

Candidates answer on the question paper

Additional materials:

Multiple choice answer sheet

Soft clean eraser

Soft pencil (type B or HB is recommended)

Time: 1 hour

INSTRUCTIONS TO CANDIDATES

Do not open this booklet until you are told to do so.

Write your name, Centre number and candidate number on the answer sheets in the spaces provided unless this has already been done for you.

There are **forty** questions in this paper. Answer **all** questions. For each question there are four possible answers, **A, B, C** and **D**. Choose the **one** you consider correct and records choice in **soft** pencil on the separate answer sheet provided.

Read very carefully the instructions on the answer sheet.

INFORMATION FOR CANDIDATES

Each correct answer will score one mark. A mark will **not** be deducted for a wrong answer. Any rough working should be done in this booklet.

This question paper consists of 10 printed pages and 1 blank page.

Copyright: Zimbabwe School Examinations Council

1. **Which two input devices can be used to transfer images into the computer?**

- A. Touchpad and keyboard
- B. Microphone and scanner
- C. Scanner and digital camera
- D. Digital camera and touchpad

2. **Which input device is most convenient for a visually impaired person to enter data into a computer?**

- A. Standard keyboard
- B. Microphone
- C. Magnetic Ink Character Reader
- D. Optical character reader

3. **Which of the following items is used to store personal data?**

- A. Graphics tablet
- B. ROM chip
- C. Product bar code
- D. Magnetic strip on a credit card

4. **Which of the following truth tables is derived from an AND logic gate which receives two inputs A and B?**

A.

INPUTS		OUTPUTS
A	B	
1	1	1
1	0	1
0	1	1
0	0	0

B.

INPUTS		OUTPUTS
A	B	
1	1	0
1	0	1
0	1	1
0	0	1

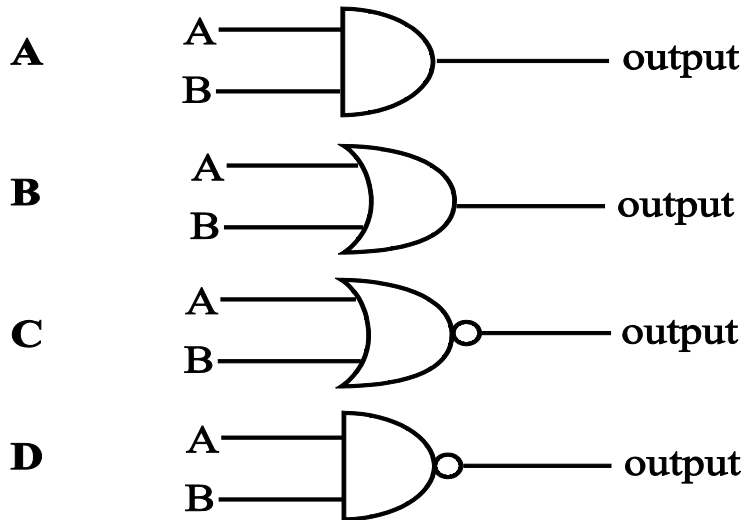
C.

INPUTS		OUTPUTS
A	B	
1	1	1
1	0	0
0	1	0
0	0	0

D.

INPUTS		OUTPUTS
A	B	
1	1	0
1	0	0
0	1	0
0	0	1

5. From the symbols listed below, identify an OR logic gate.



6. Choose a printer that is most suitable for producing monthly electricity bills by an electricity company with thousands of customers.

- A. Line printer
- B. Laser printer
- C. Dot matrix printer
- D. Inkjet printer

7. Which arrangement best represents storage devices when sorted in order of increasing access speed?

- A. Compact disk, Random Access Memory, Magnetic Tape, Hard disk.
- B. Random Access Memory, Hard disk, Compact disk, Magnetic tape
- C. Hard disk, Compact disk, Random Access Memory, Magnetic tape
- D. Magnetic tape, Compact disk, Hard disk, Random Access Memory.

8. When the denary number 19 is converted to its binary form and represented in 8-bit format it becomes

- A. 01010011
- B. 10011011
- C. 00010011
- D. 10010011

9. Which of these tasks is **NOT** suited to run under a real- time operating system?
- A. Monitoring a patient's vital signs e.g. breathing rate
 - B. Guiding an aircraft
 - C. Producing electricity bills
 - D. Arranging airline bookings
10. Select one statement which is true about a Graphical User Interface.
- A. it is harder to use than command- line interface.
 - B. it does not allow many programs to be held in RAM at the same time.
 - C. It is easy to set up batch files to configure them.
 - D. It needs more RAM than command- line interface.
11. Which of the following tasks **CANNOT** be performed by a hospital patient monitoring system?
- A. Monitoring the heartbeat.
 - B. Monitoring breathing rate.
 - C. Control vital signs to stabilize conditions
 - D. Monitoring temperature.
12. Flight simulators are used to train pilots. Choose the most appropriate reason why flight simulators are used.
- A. Flight simulators are more realistic than flying an actual plane.
 - B. Situations can be modeled that are rare in real life.
 - C. The modeled plane behaves more unpredictably.
 - D. It is easier to fly a "virtual" plane.
13. A data logging system is different from a process control system in that:
- A. It uses sensors to collect data from the environment.
 - B. It provides accurate measurement of physical quantities.
 - C. It does not analyze collected data
 - D. Data can be collected in the absence of humans.
14. In an expert system, searches, comparisons and deductions are performed by the
- A. Knowledge base
 - B. Knowledge Acquisition Program
 - C. User Interface
 - D. Inference engine

15. **Why is it a mistake to use a text data type to store money values?**
- A. The dollar sign cannot be displayed.
 - B. The decimal place cannot be displayed.
 - C. The calculations cannot be performed.
 - D. The data cannot be sorted.
16. **Which of the following computer crimes is NOT directly linked to hacking?**
- A. Industrial espionage
 - B. Introduction of viruses
 - C. Computer fraud
 - D. Software piracy
17. **Verification differs from validation in that it ensures that input data is**
- A. without transcription errors
 - B. reasonable
 - C. transmitted without errors.
 - D. processed by the system.
18. **The most recent application developments that have allowed the disabled to have easy access to computer systems are:**
- A. speech recognition and speech output software.
 - B. Braille keyboard software and graphical user interface.
 - C. Braille software and image processing
 - D. word processing and spreadsheet software.
19. **A school has sought your advice on the best ways to guard its computers against computer viruses. Which of the following recommendations would you NOT consider?**
- A. Installing anti- virus programs
 - B. Scanning external storage devices for viruses before use.
 - C. Backing up data.
 - D. Installing firewalls.

20. **A student wishes to calculate a check digit on a code number 1085 using Modulus 11. He assigns weights 2, 3, 4 and 5 to the code digits from the left most digit with their corresponding weights. He then divides the sum by 11 and takes the remainder as the check digit. The check digit obtained and assigned to the code is:**
- A. 4
 - B. 1
 - C. 45
 - D. 5
21. **System input screen layouts are usually drawn during**
- A. analysis
 - B. design
 - C. implementation
 - D. investigation
22. **Which of the system development activities is likely to take place during the investigation stage?**
- A. design of program flowcharts
 - B. writing of code.
 - C. record inspection
 - D. training of staff
23. **When a new system is run side- by- side with the old system, this is called**
- A. pilot running
 - B. module testing
 - C. direct changeover
 - D. parallel running
24. **During the running of developed programs, it was discovered that the programs did not produce expected output. To correct the problem, the programmers needed to**
- A. check the programs for syntax errors
 - B. change program translators
 - C. check hardware for errors
 - D. test programs for logical errors with test data and compare outputs with expected results

- 25. A diagram that represents an algorithm is called**
- A. a program flow chart
 - B. a system flow chart
 - C. a sequence flow diagram.
 - D. an entity relation diagram
- 26. In an algorithm, some statements may need to be executed repeatedly until a set of conditions is met. Which of the following program constructs does NOT require repeated execution of statements?**
- A. While. . . End While
 - B. Repeat. . . Until
 - C. If . . . Then . . . End If
 - D. For . . . Next
- 27. A company provided its users with a network that can be accessed from all its offices worldwide. This network is**
- A. a local area network
 - B. a metropolitan area network
 - C. a wide area network
 - D. an intranet
- 28. Why is it a good idea NOT to open email from unknown sources?**
- A. Opening them will lead to more junk e- mail.
 - B. Opening them will waste space on the hard disk.
 - C. Opening them may reveal passwords.
 - D. The e-mails may carry viruses
- 29. Which item information is NOT represented on barcodes found on supermarket products?**
- A. Check digit
 - B. Company code
 - C. Product code
 - D. Product price

- 30. A school is faced with increasing costs of internet access. Which of the following aspects would you NOT recommend to reduce costs of internet access?**
- A. Download files and read off-line.
 - B. Compress files and use broadband technology during transmission.
 - C. Access graphics and music files on-line.
 - D. Use the internet during slack periods eg at night or weekends
- 31. Broadband network connections means**
- A. more bits of data are transmitted per second
 - B. thicker cables are used
 - C. more cables are used.
 - D. fibre- optic cables are used
- 32. Mobile phones are now widely used in Communication Technology. Which of the following mobile phone applications is NOT linked to Communication Technology?**
- A. graphics transmission
 - B. Sending text messages
 - C. Internet access and information browsing
 - D. taking photographic pictures
- 33. Choose the most appropriate advantage of using the Internet for research from the ones given below:**
- A. the data is always up to date.
 - B. it is possible to see the latest research.
 - C. the data is always reliable.
 - D. the data has been written by experts.
- 34. An internet user is worried that his files sent over the internet are being intercepted by hackers or investigators. What would you recommend to reduce the risk of this invasion to privacy?**
- A. to use encryption techniques during transmission.
 - B. to change his ISP regularly
 - C. to set the browser to disallow cookies
 - D. to increase the level of security settings on the browser.

- 35. User documentation is designed to help users to learn how to use the software or system. Which one of the following is not part of user documentation?**
- A. How to log in/ log out.
 - B. How to load/ run the software.
 - C. Program listing / coding.
 - D. How to sort data.
- 36. Select a combination of software that could be used in the creation of mail-merged letters.**
- A. Database and Spreadsheet
 - B. Graphics package and word processing
 - C. Presentation package and word processing
 - D. Word processing and database.
- 37. Which field would be the best choice as the key field of a students' performance record system in a school?**
- A. Student surname
 - B. Student admission number
 - C. Date of birth
 - D. Birth- entry number
- 38. In a spreadsheet, cell C12 contain the value 6, D12 contains the value 12 and E12 contains the value 10. Cell F12 contains the expression = C12 * D12 – E12. What is the value displayed in cell F12?**
- A. 62
 - B. 12
 - C. -12
 - D. 8
- 39. Choose the correct order of the stages involved in systems analysis.**
- A. Fact finding, Feasibility study, Analysis phase, System design.
 - B. System design, Analysis phase, Feasibility study, Fact finding
 - C. Analysis phase, Feasibility study, System design, Fact finding.
 - D. Feasibility study, System design, Fact finding, Analysis phase

40. Which of the following activities is NOT done under the design stage.

- A. Data Preparation
- B. Parallel running
- C. Code design
- D. File design

BLANK PAGE